



Histoglass

MONO Systems

MONO Systems

info@histoglass.co.uk
www.histoglass.co.uk

Tel +44 (0)1423 500 844
Fax +44 (0)1423 531 811

Belvedere House
Victoria Avenue
Harrogate, HG1 1EL

MONO Systems

With many years of experience in the manufacture of glazing systems for historic windows, we have developed a new product range which addresses the particular difficulties of upgrading the insulation in Georgian Windows: Histoglass MONO Systems. No edge seals and a very similar installation to that of conventional single glazing.

There are 2 versions available:
MONO and MONO RT+.

MONO

- A laminated system with great acoustic and thermal performance
- Superb safety standard (see table below)
- Can be supplied with Hand Drawn and Cylinder Glass

MONO RT+

- Single pane 4mm
- Great thermal performance
- Only 4mm thick, so will always fit into the smallest existing rebates and has a similar weight to existing single glazing so existing pulleys and weights can be kept
- Available in Hand Drawn Glass

Installation

Care is needed on installation as the high U-value is achieved by a special hardcoat on the inside. This hardcoat can be damaged if it comes into contact with certain materials, specifically metal objects.

Installation is similar to that of other single glazing and can be done using linseed putty. Please make sure to use plastic putty knives or spatulas to reduce the risk of scratching on the hardcoat. When decorating, let the any spilled drops of paint dry and remove with a plastic spatula.

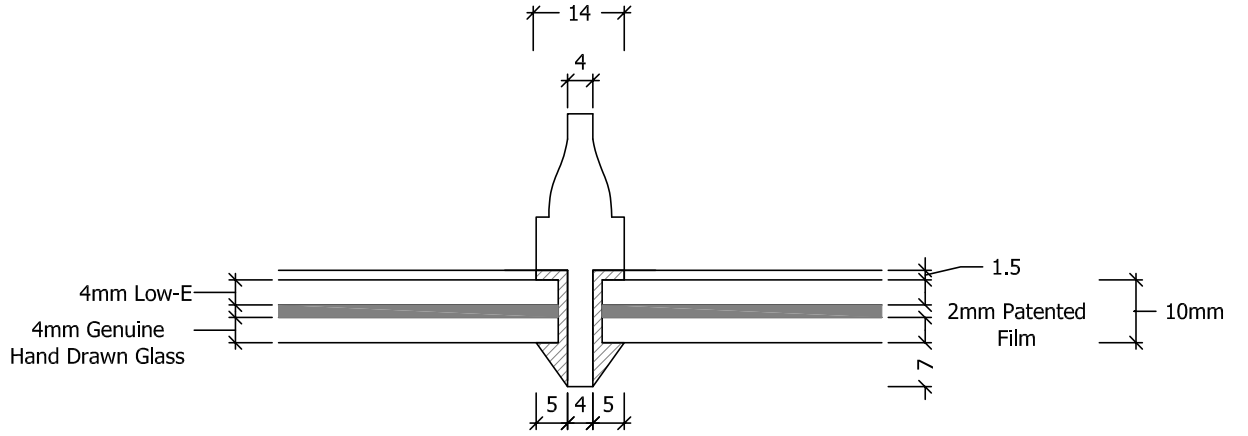
The hardcoat surface of the unit should always be installed to the inside (room side), the label to the outside.

Cleaning

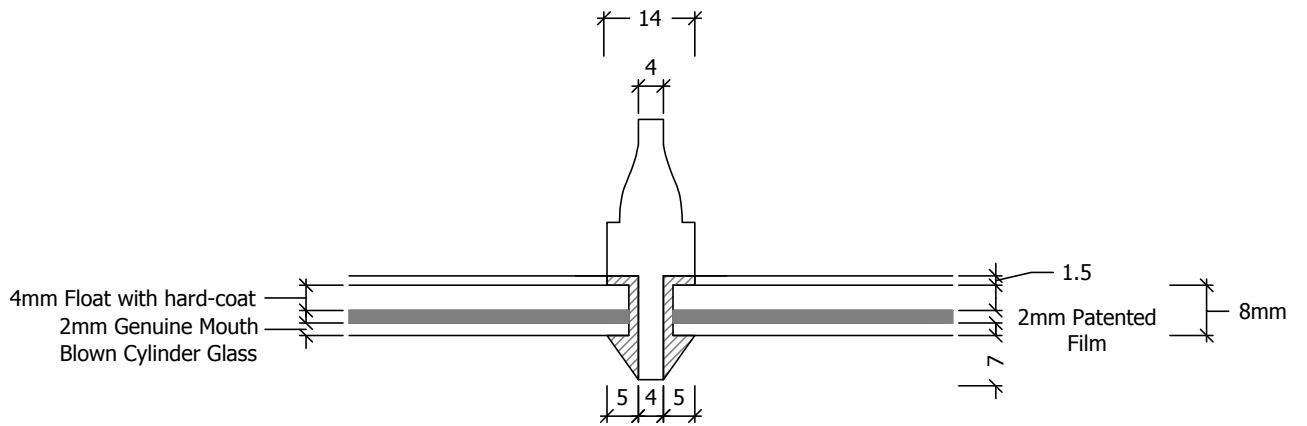
Cleaning should be carried out using only regular domestic cleaning products. Do not clean with abrasive cleaning products, scouring pads or mechanical cleaning methods. Mechanical cleaning can cause black lines to occur on the glass, which cannot be removed. When wet, the panes can show a rainbow effect which will disappear again when dry and, as such, does not constitute grounds for a claim.

System	Standard single glazing	MONO	MONO RT+
Thickness	3-5 mm	8-9 mm	4 mm
Weight	7.5 – 12.5 kg / m ²	17.5 – 20 kg / m ²	10 kg / m ²
U-value	5.6 – 5.8	3.6	3.6
Acoustic performance	–	34dB	–
Historic Glass Type	–	Hand Drawn or Mouth Blown Cylinder Glass	Hand Drawn
Safety glass*	no	Laminated to <ul style="list-style-type: none"> • Safety Pendulum Class 1B1 (BS EN 12600) • Safety P1A – P2A (BS EN 356) 	Can be toughened on request

MONO with Genuine Hand Drawn Glass



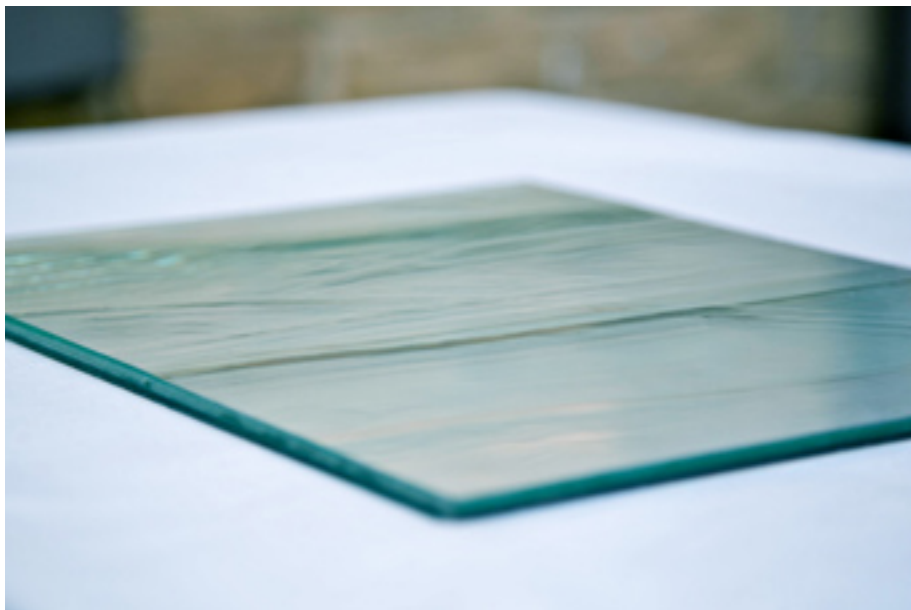
MONO with Genuine Cylinder Glass



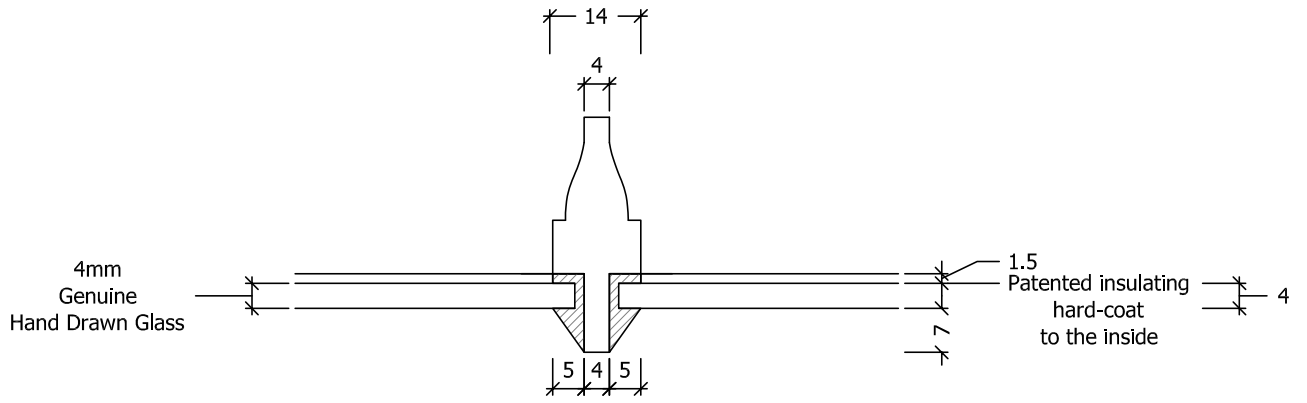
info@histoglass.co.uk
www.histoglass.co.uk

Tel +44 (0)1423 500 844
Fax +44 (0)1423 531 811

Belvedere House
Victoria Avenue
Harrogate, HG1 1EL



MONO RT+



info@histoglass.co.uk
www.histoglass.co.uk

Tel +44 (0)1423 500 844
Fax +44 (0)1423 531 811

Belvedere House
Victoria Avenue
Harrogate, HG1 1EL





Histoglass

MONO Systems

Histoglass Ltd
Belvedere House
Victoria Avenue
Harrogate
HG1 1EL

T +44 (0)1423 500 844
F +44 (0)1423 531 811

info@histoglass.co.uk
www.histoglass.co.uk