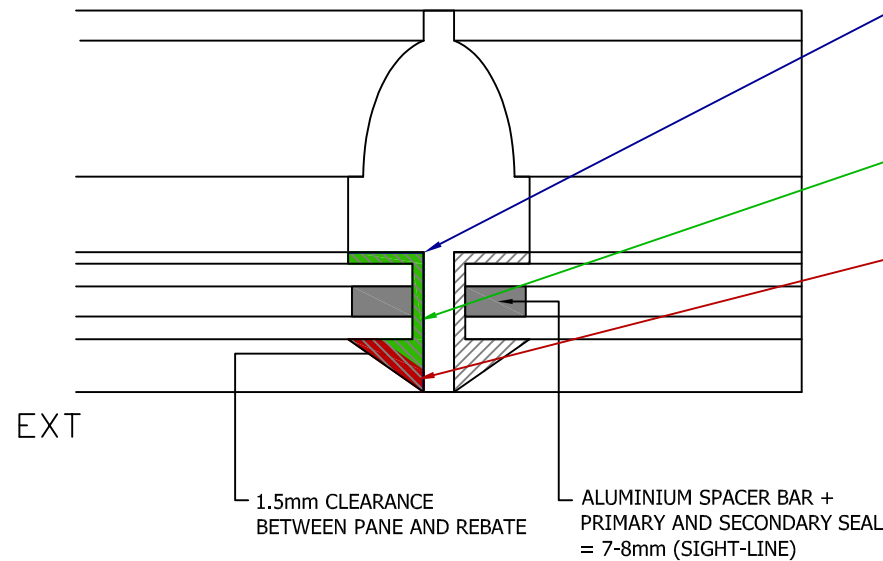


ORICALCUM INSTALLATION WHEN USING  
ORICALCUM LINSEED PAINT

INT



- ① Paint the whole window (excluding rebates) with Linseed Paint.
- ② Primer rebates with good quality (NON LINSEED) oil based paint.
- ③ Make sure the paint in the rebate is completely dry and use Kawo Elastokitt to 'bed in' the unit ensuring that the edge seal of the unit is completely enveloped.
- ④ Finish off the installation with 2 K putty.
- ⑤ Allow approx 24-48 hrs for putty to dry.
- ⑥ Paint the whole window (including the putty) with Linseed paint.